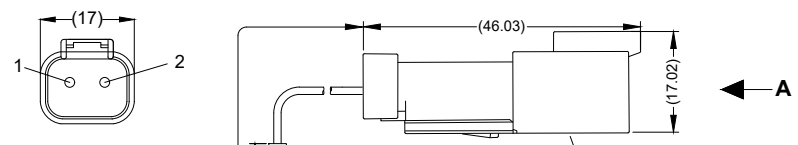


Revision Notes				
R1 -				
APA: -	Drawn:-	Checked:-	Approved:-	Date: -

**VIEW A**

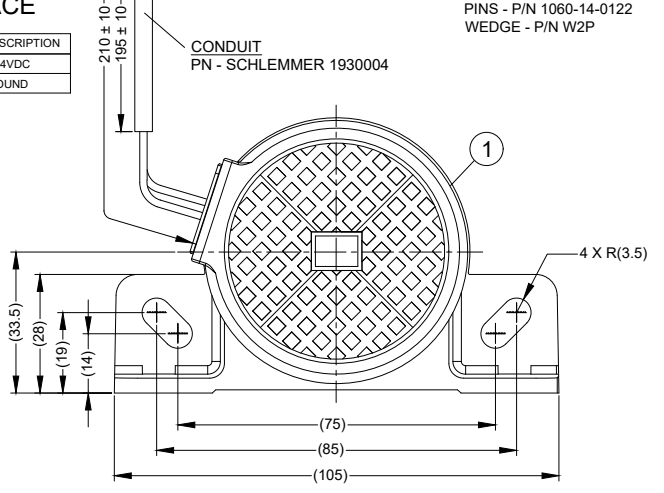


**MATING FACE**

PIN #	WIRE COLOUR	DESCRIPTION
1	RED	12-24VDC
2	BLACK	GROUND

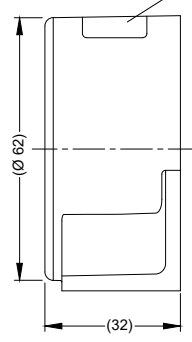
DEUTSCH CONNECTOR HOUSING - P/N DT04-2P-CE03  
 PINS - P/N 1060-14-0122  
 WEDGE - P/N W2P

CONDUIT  
 PN - SCHLEMMER 1930004

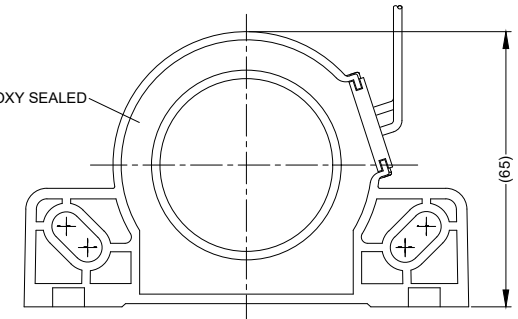


ITEM	STOCK CODE	QTY	DESCRIPTION
①	(# TBD)	1	BBS-92 (DC02) ALARM ONLY
②	(# TBD)	1	ALARM WARNING STICKER (NOT SHOWN)
③	(# TBD)	1	FITTING INSTRUCTIONS (NOT SHOWN)

BASE PRODUCT LABEL LOCATION



EPOXY SEALED



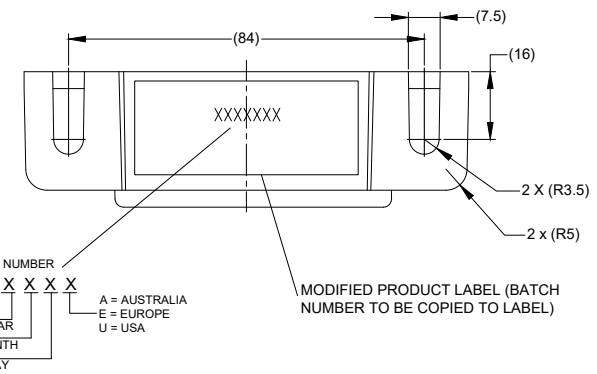
**CHANGES FROM BASE PRODUCT BBS-92 (0934B) TO BBS-92 (DC02) (5429)**

- CHANGE:
1. CABLES CUT TO LENGTH.
  3. SCHLEMMER 1930004 CONDUIT ADDED.
  4. DEUTSCH CONNECTOR ADDED.
  5. MODIFIED PRODUCT LABEL ADDED.
  6. REPLACEMENT GIFT BOX LABEL ADDED.

OPERATION: SAME AS BASE PRODUCT

**SPECIFICATIONS:**  
 RATED VOLTAGE: 12-24VDC (WORKING VOLTAGE 9-32VDC).  
 RATED CURRENT: 0.2A OR LESS.  
 SOUND PRESSURE: 92±4DECIBELS AT TEST VOLTAGE OF 14 AND 28 VOLTS.  
 INTERMITTENCE: 80±10 CYCLES PER MINUTE AT TEST VOLTAGES 14 AND 28 VOLTS.  
 OPERATING TEMPERATURE: -40° TO +85°.  
 TONE: WHITE SOUND (bbs)  
 ENVIRONMENTAL TEST: SUBJECT TO SAE J994.  
 FINISH: MATT BLACK.  
 MATERIAL: ABS PLASTIC.  
 WEIGHT: 220±20grams

- NOTES:**
1. REFER TO BASE PRODUCT FOR PRODUCT SPECIFICATION.
  2. FOR LABELS AND PACKAGING REFER TO LATEST REVISION OF MASTER BOM.



**PROPRIETARY NOTICE**  
 THIS DESIGN AND TECHNICAL INFORMATION APPEARING ON THIS DRAWING IS THE PROPERTY OF BRIGADE ELECTRONICS, AND IS DISCLOSED IN CONFIDENCE. IT IS NOT TO BE COPIED, REPRODUCED, REVEALED TO OR EXPROPRIATED BY OTHERS, EITHER IN WHOLE OR IN PART WITHOUT THE EXPRESS WRITTEN CONSENT OF BRIGADE ELECTRONICS.

Customer Approval  
 A.WILCZEK



Assembly Pl Approval P.JENNING	Approved by B.CHILDS	Checked by M.BUTLER	Released 04/06/18	Drawn by I.DEASY
Angle of Projection	Units mm	Scale N/A	Released 04/06/18	Assembly Ref -
Third Angle	Status RELEASED	BBS-92(DC02)		
	Part No 5429	BE-003785-00-18		